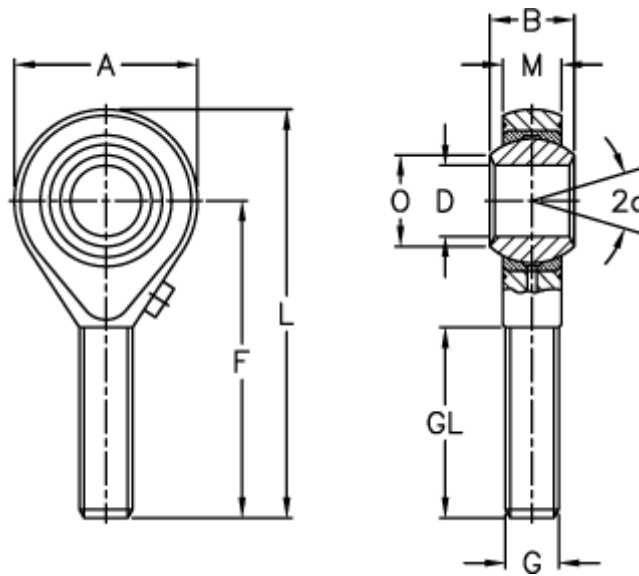


Article number: 03006012

Description: Fluro Rod End GAXS 12
Zinc Plated

Measures



A	= 32	L	= 70
a (degrees)	= 13	M	= 12
B	= 16	O	= 15.4
D	= 12	Permissible rpm	= 860
Dynamic load C (kN)	= 13.5	Static load C0 (kN)	= 42
F	= 54	Weight (g)	= 87
g	= M12		
GL	= 33		